

Vector Frame Kit 22

VF-K-22

The innovative, contemporary and clean appearance of the Vector Frame™ line of exhibit kits will captivate your audience. Kits feature push-fit fabric graphics, easy-to-assemble extrusion frames, accent lighting, tables, counters, literature accessories, monitor mounts and interior LED edge lighting where indicated.



features and benefits:

- 50mm silver extrusion frame
- Single-sided SEG dye-sublimated push-fit fabric graphics
- Counters available in four thermoform finishes, shown below
- Counters max weight = 50 lbs / 22.7 kgs
- Max monitor weight = 25 lbs / 11.3 kgs
- Kit includes frame, three fabric graphic panels, four rigid graphic wing accents, three counters, two monitor mounts, two 120 watt lights, and four wheeled molded cases
- Lifetime hardware warranty against manufacturer defects

dimensions:

Hardware

Assembled Unit:

228.25" w x 102" h x 37.75" d
5797.55mm(w) x 2590.8mm(h) x 958.85mm(d)

Counter 06 (attached to backwall):

41.625" w x 40.5" h x 20.75" d
1057.28mm(w) x 1029mm(h) x 527mm(d)

Counter 05 (freestanding):

39.76" w x 40.5" h x 22.75" d
1009.904mm(w) x 1029mm(h) x 578mm(d)

Shipping

Shipping dimensions - ships in 4 cases:

3 OCH2 cases: 52" l x 30" w x 15" h
1320.8mm(l) x 762mm(w) x 381mm(h)

1 OCE case: 66" l x 18" w x 18" h

1676.4mm(l) x 457.2mm(w) x 457.2mm(h)

Approximate shipping weight (entire kit):

408.72 lbs / 185.39 kgs

Graphic

Total visual area:

Dye Sub Panels C & E: 51.18" w x 94.5" h
1316mm(w) x 2400mm(h)

Dye Sub Panel D: 99.75" w x 94.5" h
2534mm(w) x 2400mm(h)

UV Panels B & F: 11.811" w x 45.27" h
300mm(w) x 1150mm(h)

UV Panels A & G: 10.62" w x 45.27" h
270mm(w) x 1150mm(h)

Counter 06 (attached to backwall):

Front: 38" w x 19.5625" h
Side (each): 11.75" w x 19.5625" h

Counter 05 (freestanding):

Front: 38" w x 19.5625" h
Sides (each): 9.81" w x 19.5625" h

Please be sure to include a 2" bleed around the perimeter of all dye sub graphics and 1/2" around the perimeter of all wing graphics.

additional information:

Graphic material:

Dye-sublimated fabric, rigid sintra graphics

Tabletop color options:



silver



black



mahogany



natural

Refer to related graphic templates for more information

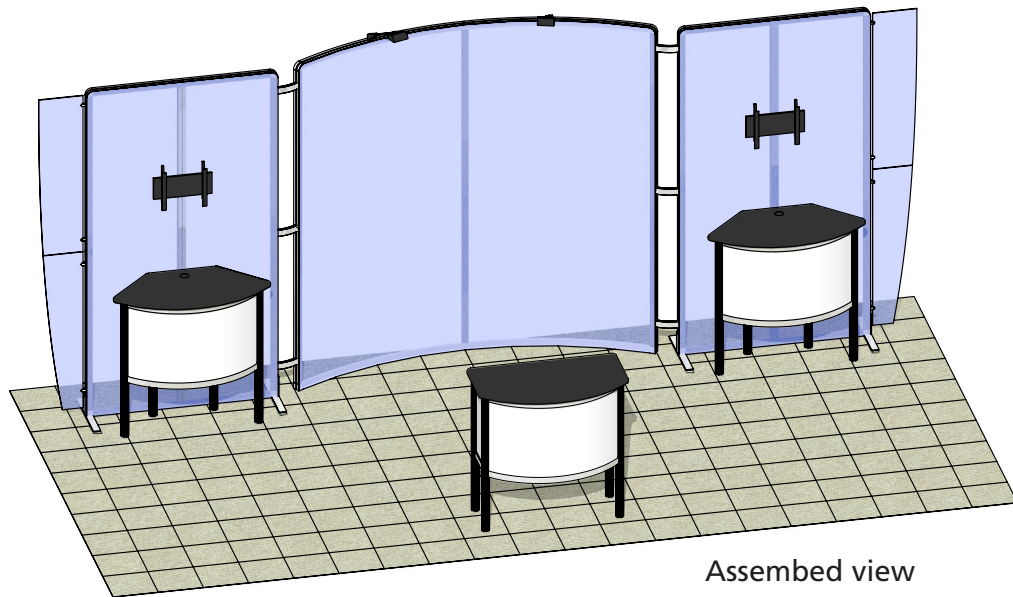
Lights included: Lumina 200 120 watt floodlight, curved arm, black finish, 19.5" from end to end

Monitors not included

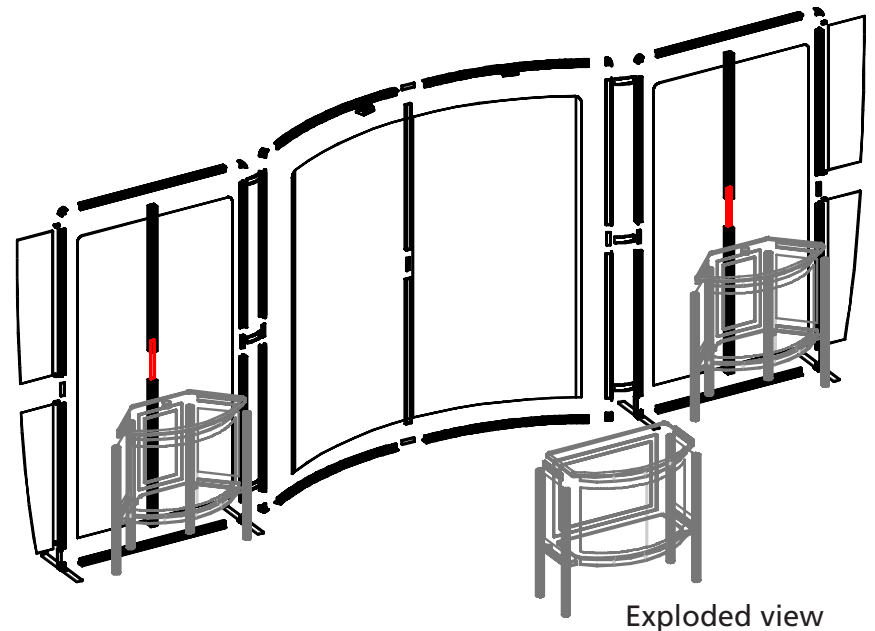
We are continually improving and modifying our product range and reserve the right to vary the specifications without prior notice. All dimensions and weights quoted are approximate and we accept no responsibility for variance. E&OE. See Graphic Templates for graphic bleed specifications.

Parts Included:

| Code | Qty | Description |
|----------------------------|-----|---|
| VF-K-22-A-G | x1 | 270MM (10.62")W X 1150MM (45.27")H PVC GRAPHIC |
| VF-K-22-B-G | x1 | 300MM (11.811")W X 1150MM (45.27")H PVC GRAPHIC |
| VF-K-22-C-G | x1 | 1316MM (51.18")W X 2400MM (94.5")H FABRIC GRAPHIC W/FCE-2 ALL SIDES |
| VF-K-22-D-G | x1 | 2522MM (99.3")W X 2400MM (94.5")H FABRIC GRAPHIC W/FCE-2 ALL SIDES |
| VF-K-22-E-G | x1 | 1316MM (51.18")W X 2400MM (94.5")H FABRIC GRAPHIC W/FCE-2 ALL SIDES |
| VF-K-22-F-G | x1 | 300MM (11.811")W X 1150MM (45.27")H PVC GRAPHIC |
| VF-K-22-G-G | x1 | 270MM (10.62")W X 1150MM (45.27")H PVC GRAPHIC |
| F31 | x4 | 1200MM (47.24") PHFC2 EXTRUSION WITH LOCKS TWO ENDS |
| F34 | x12 | 1155MM (45.47") PHFC2 EXTRUSION - WITH IB2 HOLE ONE SIDE - WITH LOCK ONE END |
| F49 | x4 | 8R X 30 DEGREE PHFC2 EXTRUSION WITH CAM LOCKS BOTH ENDS |
| SW-FOOT | x4 | VECTOR FRAME SUPPORT FOOT |
| IB2 | x9 | PH INLINE CONNECTOR |
| CB9-S | x6 | 50MM SQUARE PHCF2 CORNER BRACKET |
| CB9-R | x6 | 50MM ROUND PHCF2 CORNER BRACKET |
| VE-45 | x2 | PH4SC-300MM (11.81") EXTRUSION WITH TENSION GLIDES |
| VE-67 | x4 | 1155MM (45.47") 50MM PM2S SQUARE EXTRUSION |
| VE-85 | x2 | 1155MM LENGTH OF PH1 EXTRUSION - WITH IB2 LOCK HOLES ONE SIDE - SLIDE LOCK ONE SIDE |
| VE-92 | x6 | 135 DEGREE - 150MM (5.91") PH1 EXTRUSION WITH LOCKS TWO ENDS |
| LUM-200-ORL-B LN-3P-LT-FXT | x2 | BLACK 200W HALOGEN LIGHT FIXTURE ETL APPROVED |
| PANEL CLAMP | x8 | 7MM PLASTIC MOLDED PANEL CLAMP |



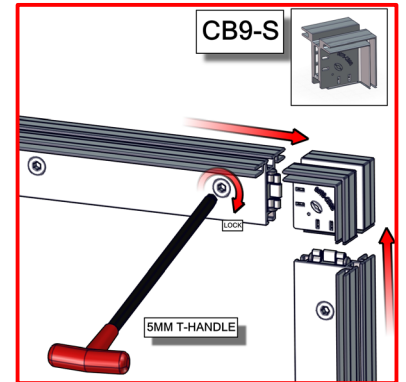
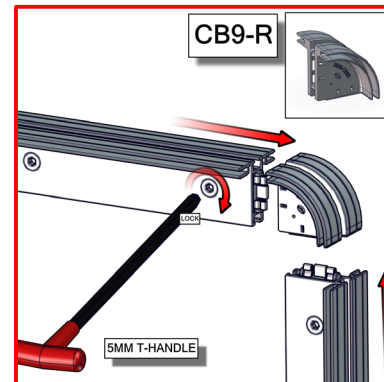
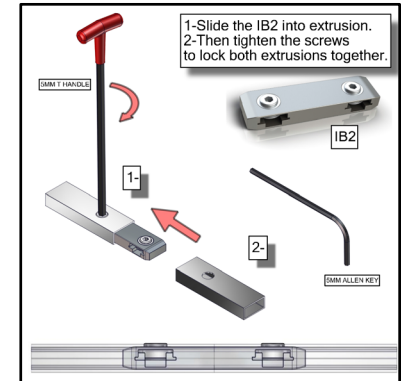
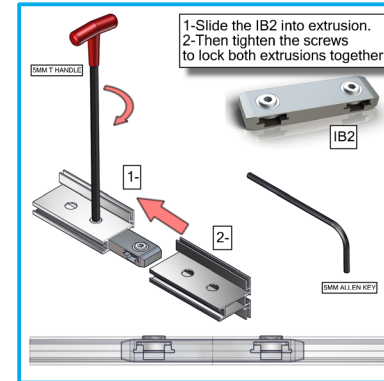
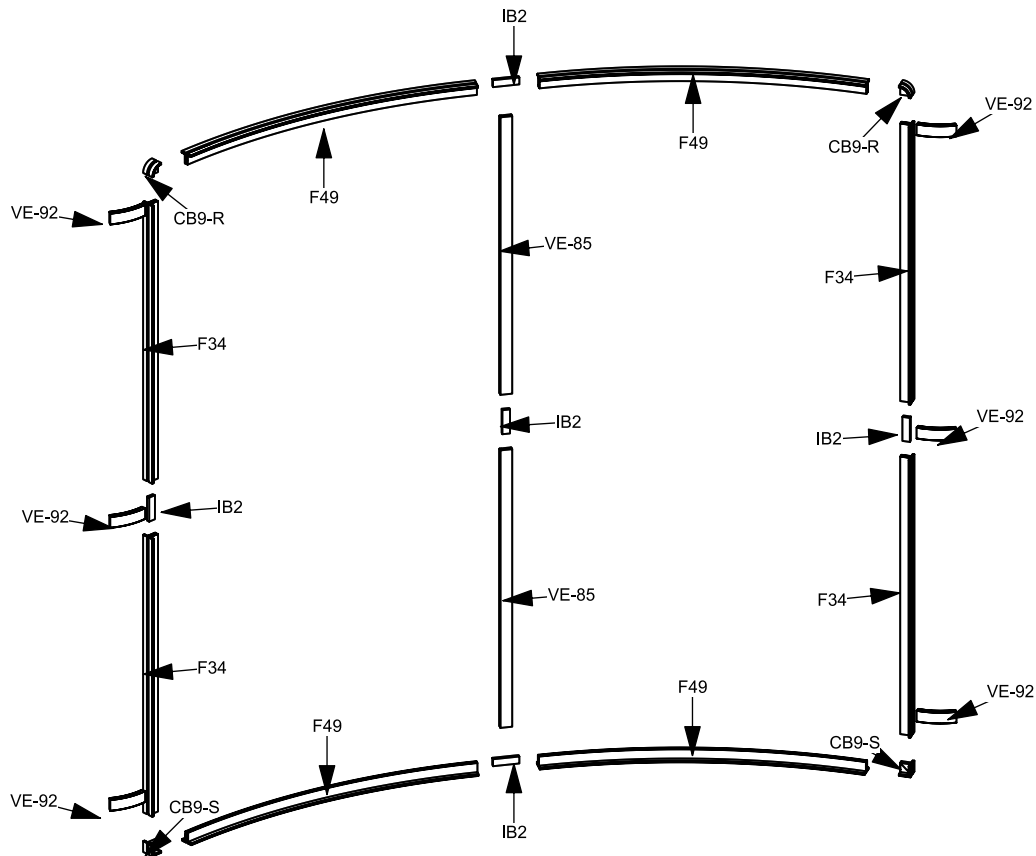
Assembled view



Exploded view

Step 1: Assemble Center Frame

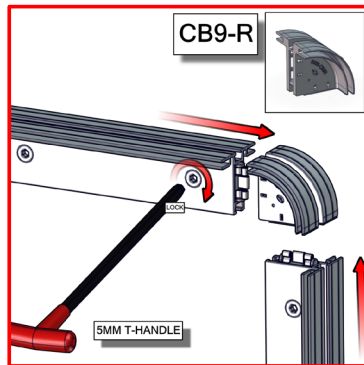
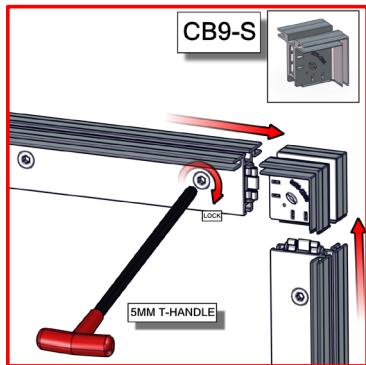
Arrange pieces on the floor as shown in the diagram below. Assemble frame by locking CB9-R's on the top and CB9-S's on the bottom to the F49s and F34s. When locking be sure to turn each cam a little bit and then go back and tighten to the proper tension. Take care to turn locks only half a turn. Slide the IB2 into the extrusion to connect sides. Tighten to the proper tension to lock extrusions together.



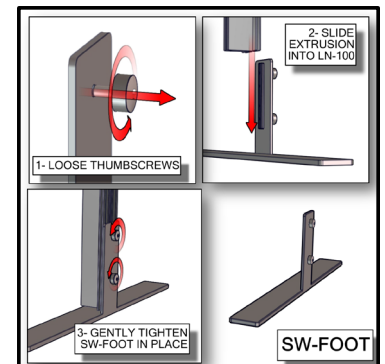
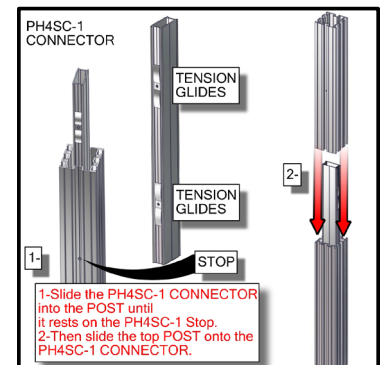
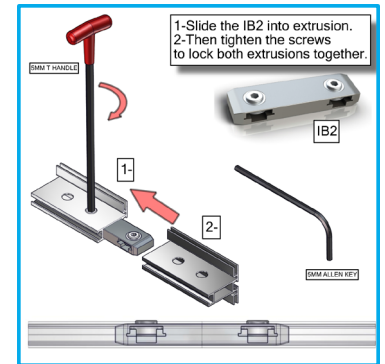
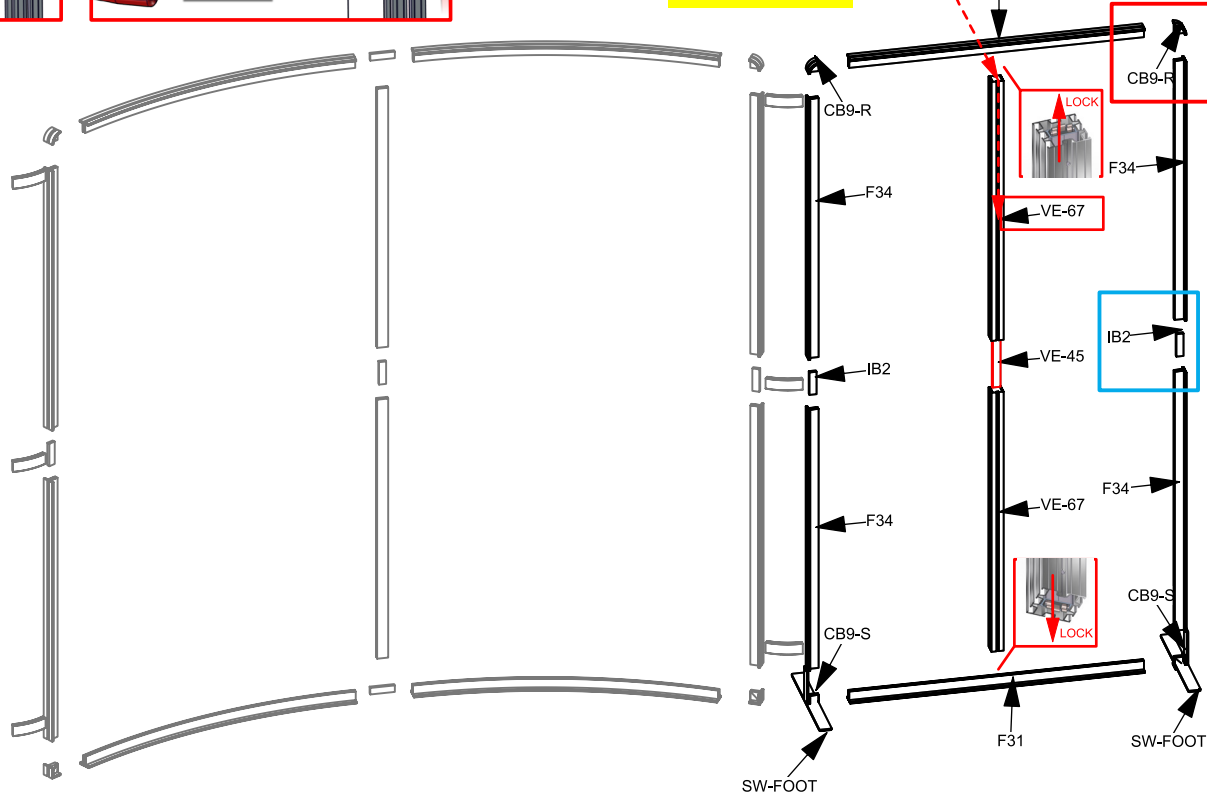
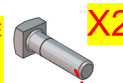
Step 2: Assemble Right Frame

Arrange pieces on the floor as shown in the diagram below. To assemble frame, lock CB9-R's at top and CB9-S's on bottom to F34s and F31s. Slide the IB2 into the extrusion to connect sides. When locking be sure to turn each cam a little bit and then go back and tighten to the proper tension. Take care to turn locks only half a turn. Tighten to the proper tension to lock extrusions together. *Important: before securing F31 at top, make sure to slide into middle front channel of VE-67 two square head bolts for monitor mount.

To adhere foot to frame, loosen thumbscrews from foot. Slide extrusion into LN-100 groove. Tighten to the proper tension to secure supporting feet.



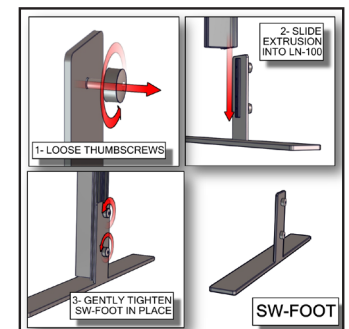
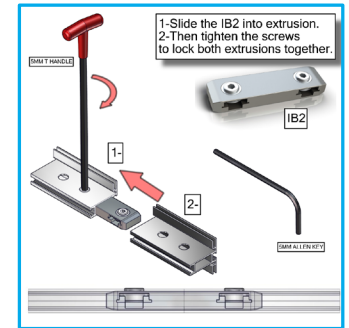
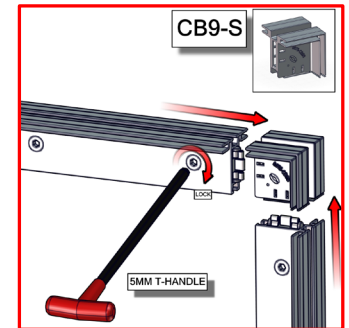
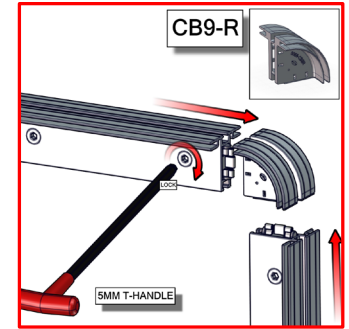
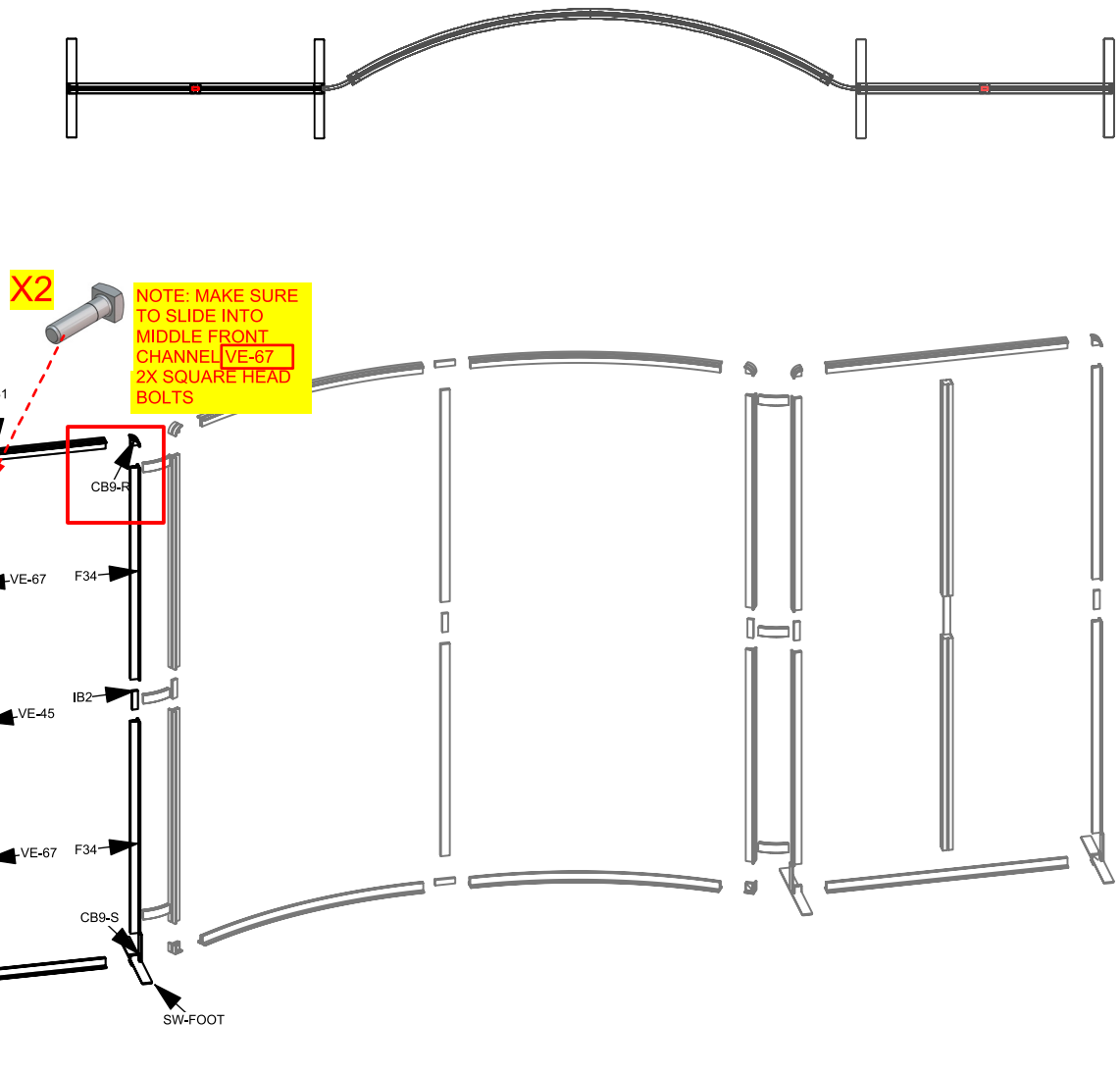
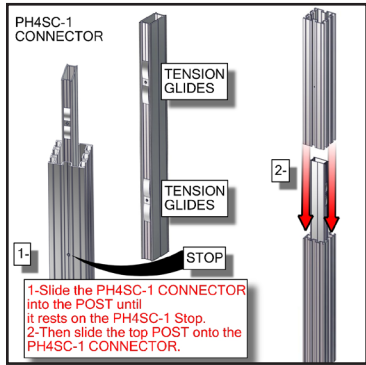
NOTE: MAKE SURE TO SLIDE INTO MIDDLE FRONT CHANNEL VE-67 2X SQUARE HEAD BOLTS



Step 3: Assemble Left Frame

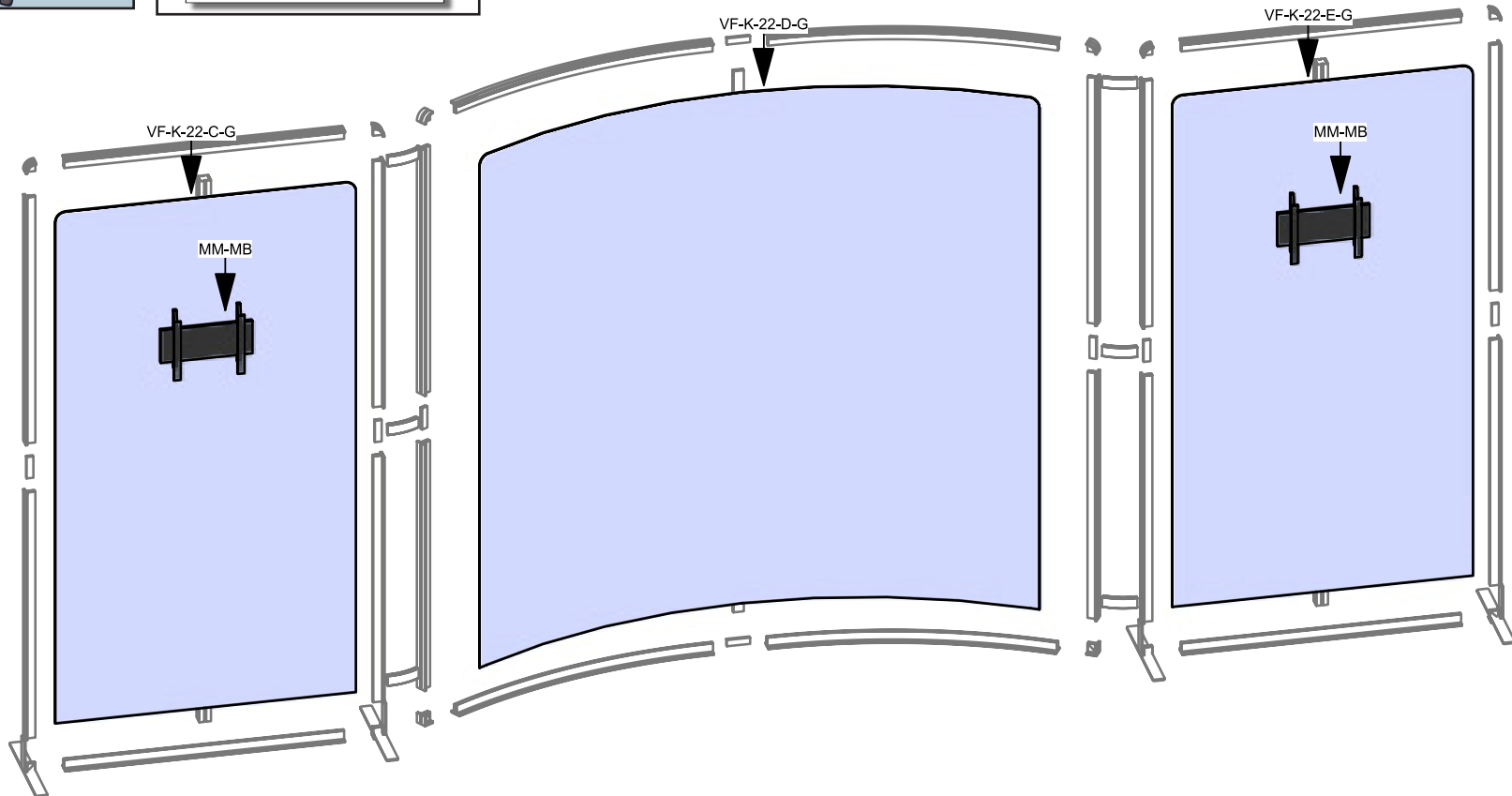
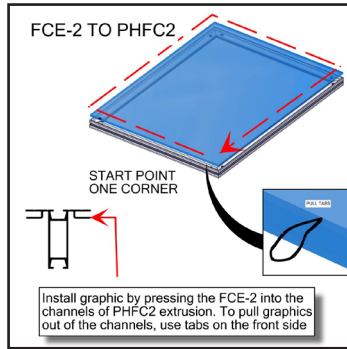
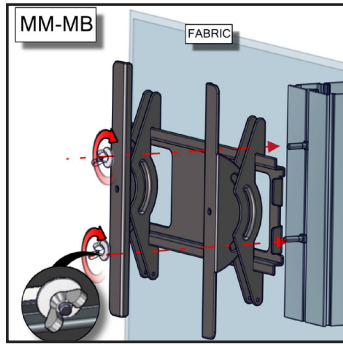
Arrange pieces on the floor as shown in the diagram below. To assemble frame, lock CB9-R's at top and CB9-S's on bottom to F34s and F31s. Slide the IB2 into the extrusion to connect sides. When locking be sure to turn each cam a little bit and then go back and tighten to the proper tension. Take care to turn locks only half a turn. Tighten to the proper tension to lock extrusions together. *Important: before securing F31 at top, make sure to slide into middle front channel of VE-67 two square head bolts for monitor mount.

To adhere foot to frame, loosen thumbscrews from foot. Slide extrusion into LN-100 groove. Tighten to the proper tension to secure supporting feet.



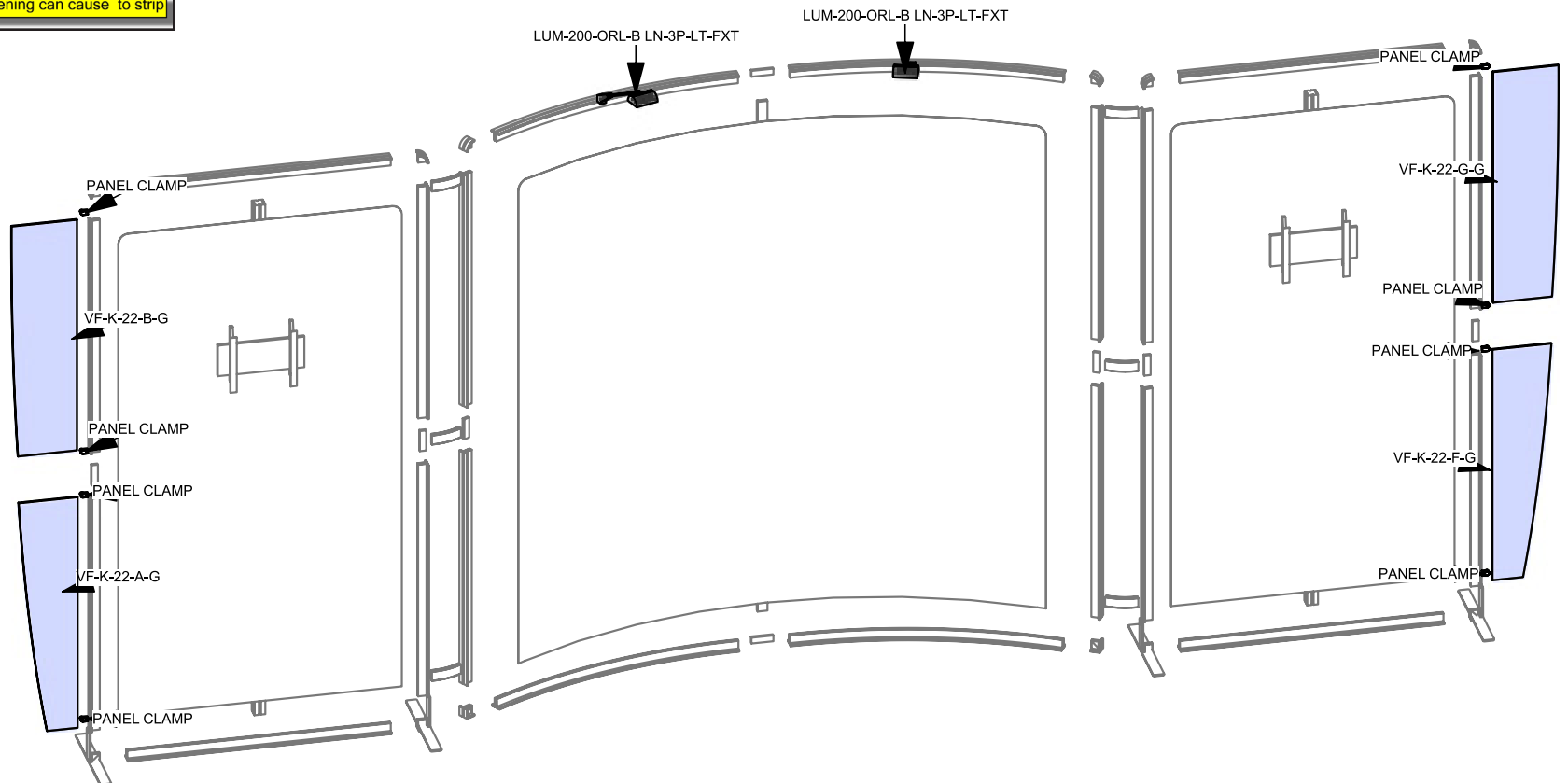
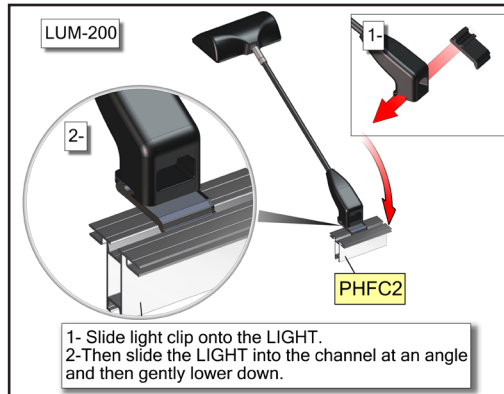
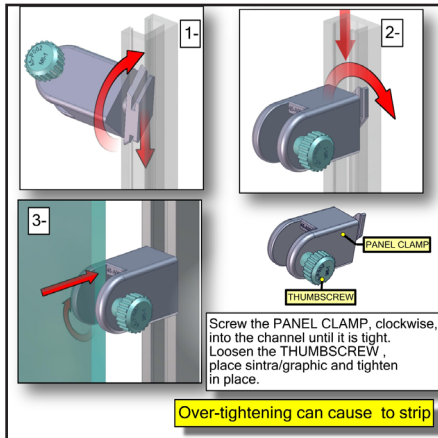
Step 5: Attach Graphics & Monitor Mount

Install graphic(s) by pressing the FCE-2 edge of graphic into the channel of the extrusion. Start in upper left corner and insert in remaining corners, then push graphic into each side. Align graphic with cutout for VE-67. Assure graphics are tightly inserted. Secure monitor mounts with washer and wingnut.



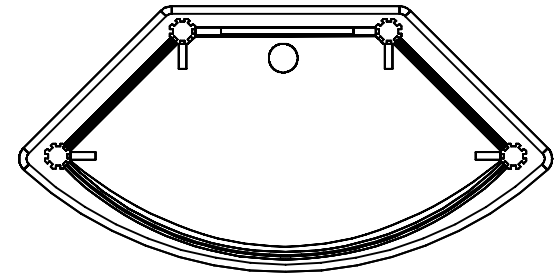
Step 3: Attach Accent Wings & Lights

To attach accent wings, screw panel clamp clockwise, into the channel until it is tight. Loosen the thumbscrew. Place rigid sintra graphics into place and tighten thumbscrew to secure. Overtightening can strip thumbscrew and damage graphic. Slide light clip onto each light. Then slide light into the extrusion channel at an angle and gently lower down and repeat for each light.

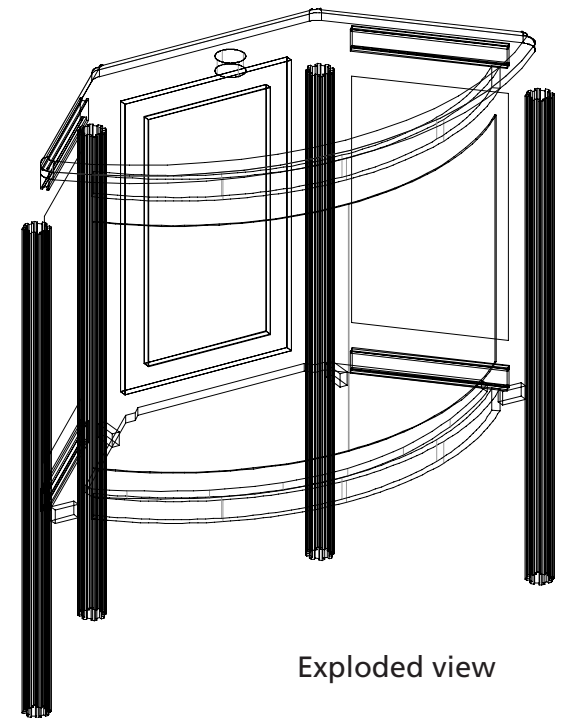


Parts Included – VFC-06 (2) Units Attached to Backwall:

| Code | Qty | Description |
|------------|-----|--|
| VE-80 | x4 | RADIUS PH-2RN PH EXTRUSION WITH LOCKS BOTH ENDS (LOCKS IN) |
| VE-69 | x8 | 1000MM (39.38") 50MM PM2R8 8 WAY ROUND EXTRUSION |
| VE-73 | x8 | 300MM (11.81") PH EXTRUSION WITH LOCKS TWO ENDS |
| VE-83 | x2 | 600MM (23.62") X 359MM (14.13") FRAME CABINET DOOR |
| CAM LOCK | x8 | LOCK (SHELF SUPPORT) |
| VFC-06-CT | x2 | COUNTERTOP FOR VECTOR COUNTER VFC-06 |
| VFC-06-S | x2 | INTERNAL SHELF FOR VECTOR COUNTER VFC-06 |
| VFC-06-A-G | x2 | 510MM (20.07")W X 978MM (38.5")H PVC GRAPHIC |
| VFC-06-B-G | x2 | 510MM (20.07") X 262MM (10.31") PVC GRAPHIC |
| VFC-06-C-G | x2 | 510MM (20.07")W X 262MM (10.31")H PVC GRAPHIC |



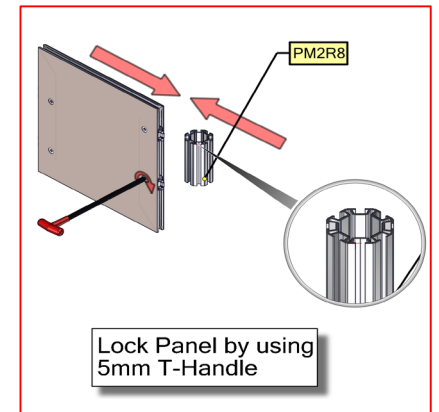
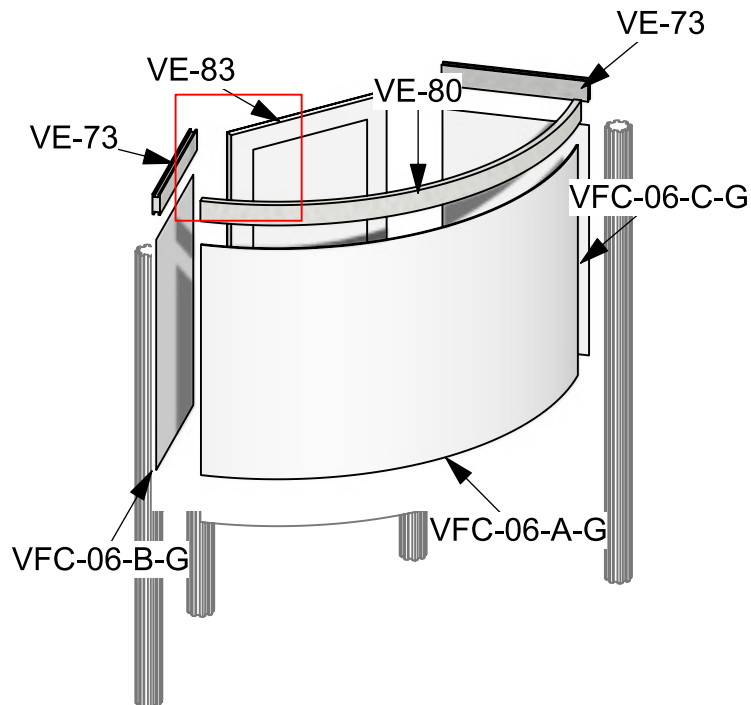
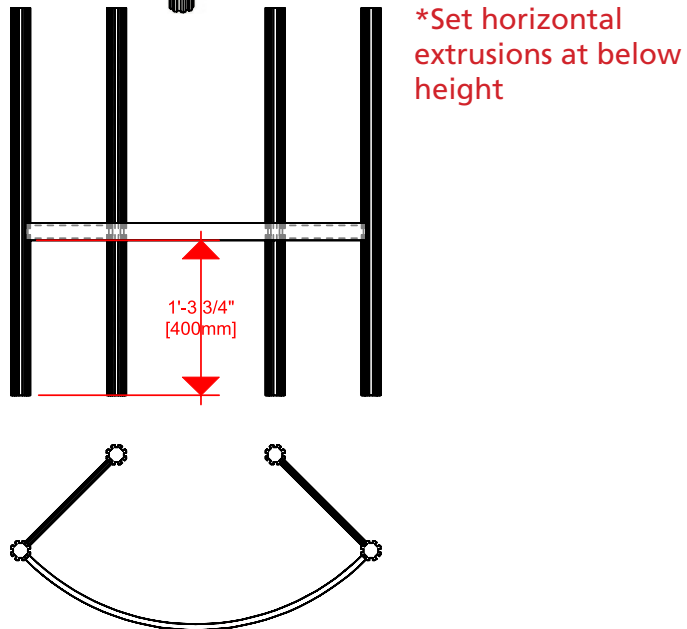
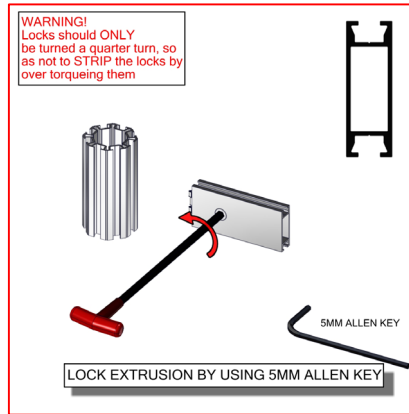
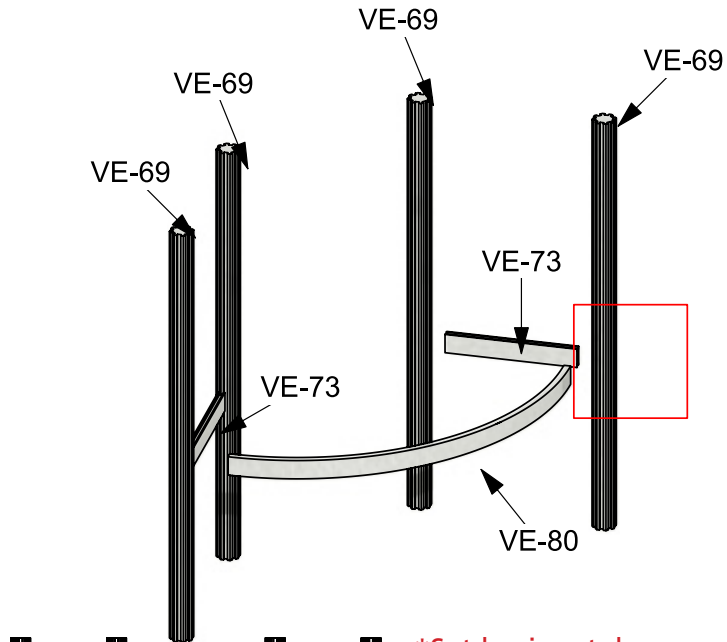
Overhead view



Exploded view

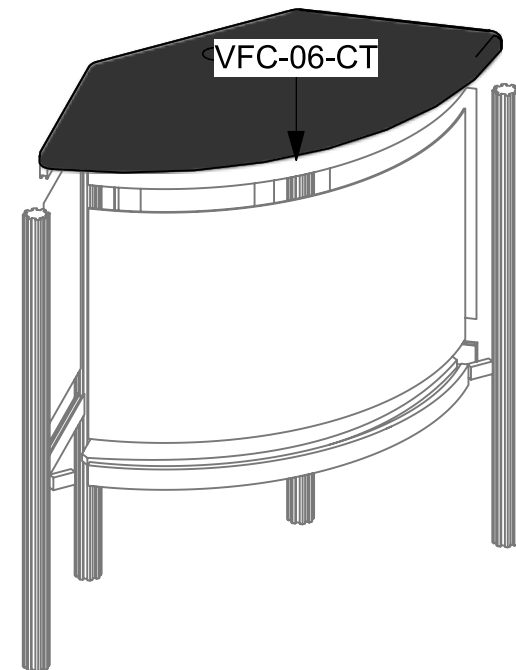
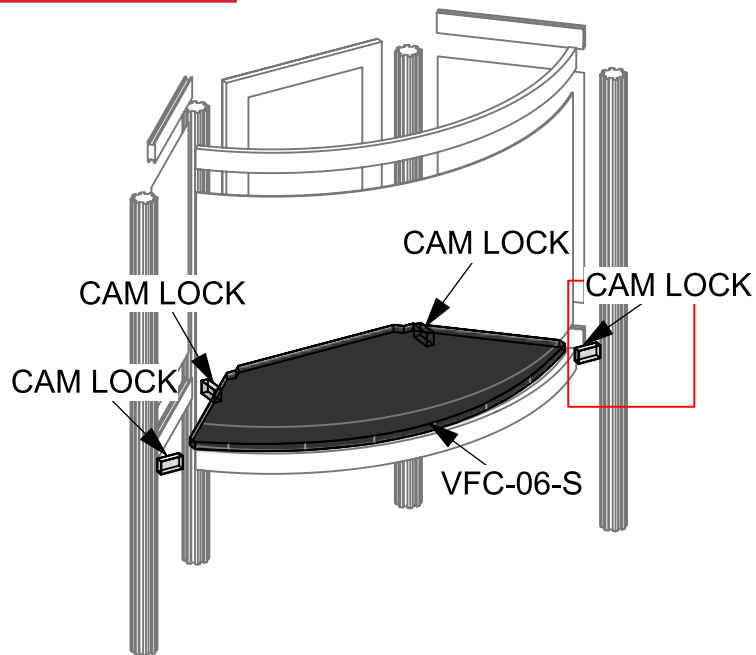
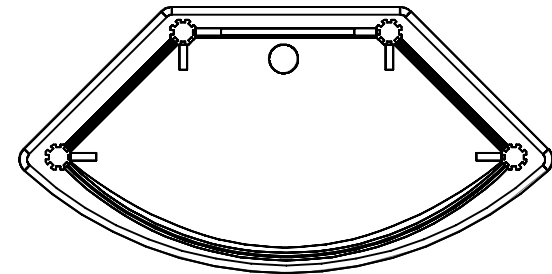
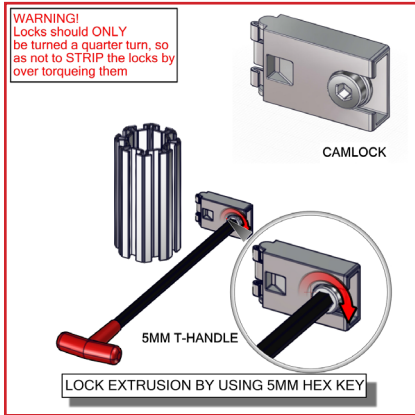
Step 1: Assemble Counter Frame & Install Rigid Graphics

Arrange pieces on the floor as shown in the diagram below. Assemble frame sides by locking VE-69 to VE-73 and VE-80. Then, slide in rigid graphic panels and secure on top by locking VE-73, VE-83 and VE-80 to the extrusion. When locking be sure to turn each cam a little bit and then go back and tighten to the proper tension. Take care to turn locks only a quarter turn, so as to not strip the locks by over tightening.



Step 2: Install Internal Shelf & Attach Countertop

To install internal shelf, secure CAM LOCK at same height on each extrusion and lock by using 5mm hex key. When locking be sure to turn each cam a little bit and then go back and tighten to the proper tension. Take care to turn locks only a quarter turn, so as to not strip the locks by over tightening. Lower the internal shelf onto the four shelf supports. Then gently lower the countertop onto the frame.



Parts Included – VFC-05 Freestanding Counter:

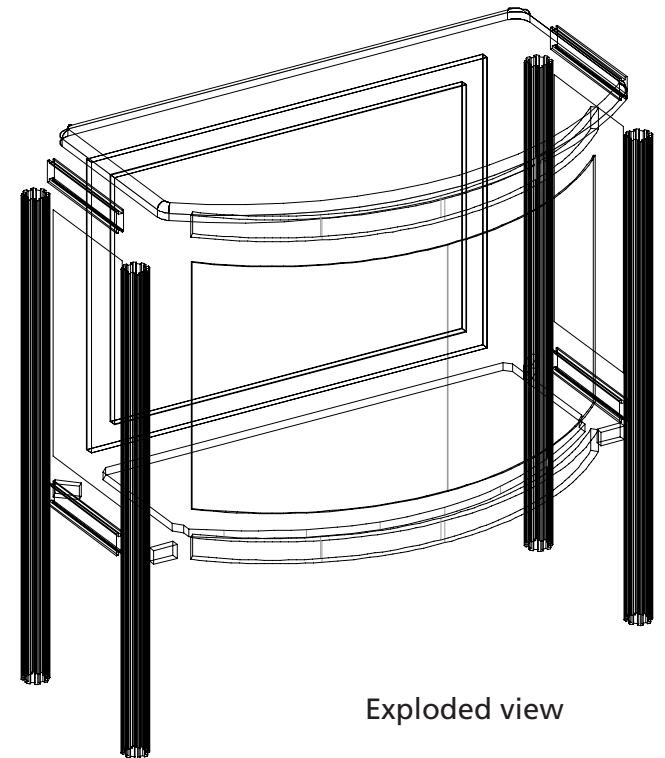
| Code | Qty | Description |
|---------------|-----|--|
| VE-80 | x2 | RADIUS PH-2RN PH EXTRUSION WITH LOCKS BOTH ENDS (LOCKS IN) |
| VE-69 | x4 | 1000MM (39.38") 50MM PM2R8 8 WAY ROUND EXTRUSION |
| VE-74 | x4 | 250MM (9.84") PH EXTRUSION WITH LOCKS TWO ENDS |
| VE-84 | x1 | 600MM (23.62") X 854MM (33.63") FRAME CABINET DOOR |
| CAM LOCK 2012 | x4 | LOCK (SHELF SUPPORT) |
| VFC-05-CT | x1 | COUNTERTOP FOR VECTOR COUNTER VFC-05 |
| VFC-05-S | x1 | INTERNAL SHELF FOR VECTOR COUNTER VFC-05 |
| VFC-05-B-G | x1 | 510MM (20.07")W X 262MM (10.31")H PVC GRAPHIC |
| VFC-05-A-G | x1 | 510MM (20.07") X 978MM (38.5") PVC GRAPHIC |
| VFC-05-C-G | x1 | 510MM (20.07")W X 262MM (10.31")H PVC GRAPHIC |



Overhead view



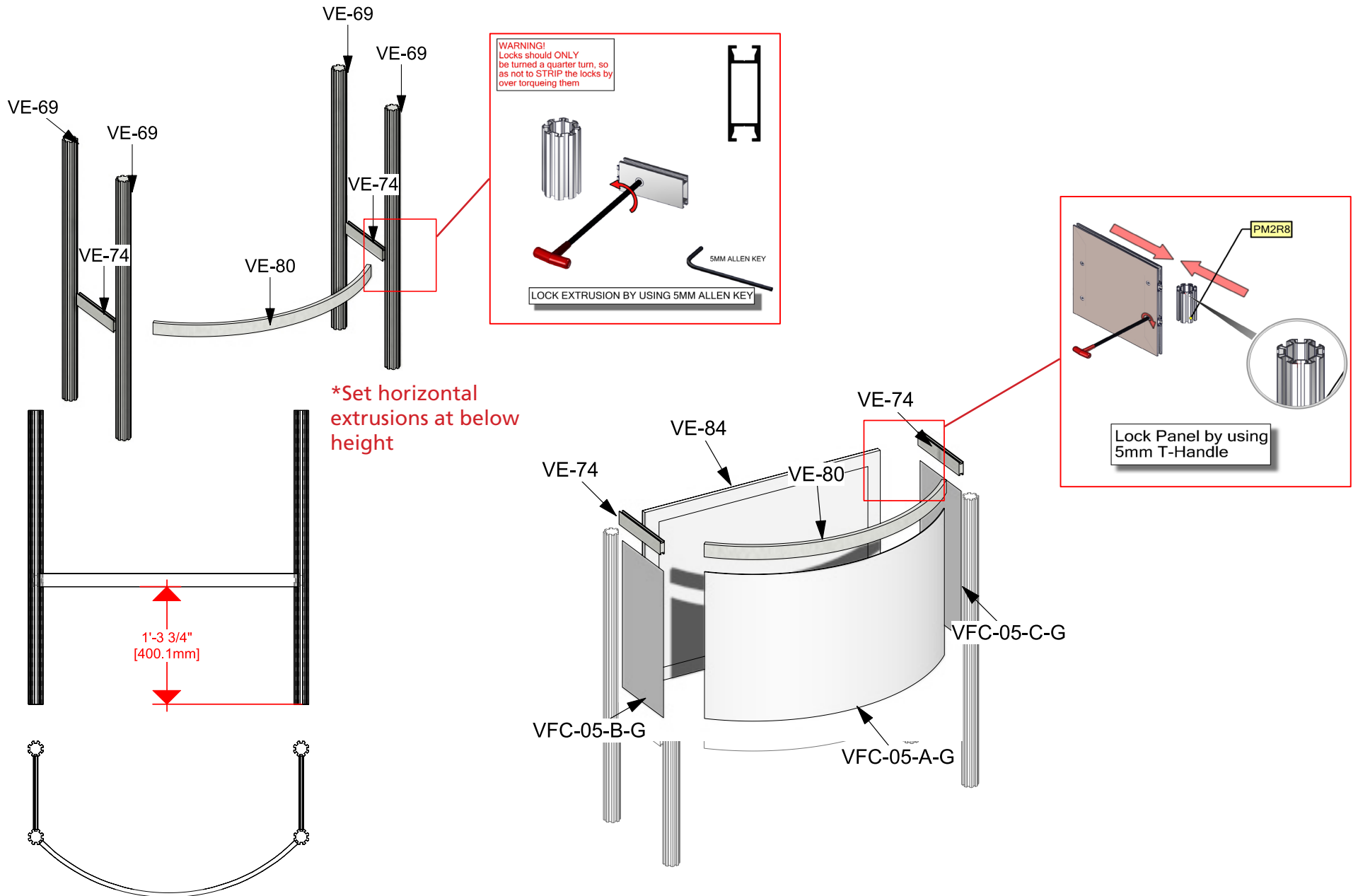
Assembled view



Exploded view

Step 1: Assemble Counter Frame & Install Rigid Graphics

Arrange pieces on the floor as shown in the diagram below. Assemble frame sides by securing VE-69 to VE-74 and VE-80. Then, slide in rigid graphic panels and secure on top with VE-74, VE-84 and VE-80. When locking be sure to turn each cam a little bit and then go back and tighten to the proper tension. Take care to turn locks only a quarter turn, so as to not strip the locks by over tightening.



Step 2: Install Internal Shelf & Attach Countertop

To install internal shelf, secure CAM LOCK 2012 at same height on each extrusion and lock by using 5mm hex key. Lower the internal shelf onto the four shelf supports. Then gently lower the countertop onto the frame.

