

Table Perch 8

PERCH-8

Table Perch displays provide numerous options for spreading your message! Available for both 6 feet long and 8 feet long tables, the tool-less kit lets you clamp the display to your table, instantly attracting attention from across the room. The kits come with hardware to create a header, a short back wall or a tall back wall. Quick, easy assembly and take down that stores in a zippered carry case making you ready for the next show.



Header, 20"



Medium, 44"



Large, 68.25"

features and benefits:

- 30mm anodized silver tube frame
- Frame height and width is configurable
- 3 graphic options available
- Light weight structure
- Tool-less assembly
- Kit includes frame, one dye-sublimated graphic, two table clamps, plastic snap button connectors
- Lifetime hardware warranty against manufacturer defects

dimensions:

Hardware

Assembled unit:

PERCH-8 Header:

99.61" w x 70.60" h x 1.18" d
2530mm(w) x 1793mm(h) x 30mm(d)
Approximate weight: 12 lb / 6 kg

PERCH-8 Medium:

99.61" w x 46.34" h x 1.18" d
2530mm(w) x 1177mm(h) x 30mm(d)
Approximate weight: 11 lb / 5 kg

PERCH-8 Large:

99.61" w x 70.60" h x 1.18" d
2530mm(w) x 1793mm(h) x 30mm(d)
Approximate weight: 13 lb / 6 kg

Shipping

Packing box(es):

1 Box: 48" l x 11" h x 4" d
1219mm(l) x 279mm(h) x 102mm(d)

Approximate weight: 15 lb / 7 kg

Graphic

Refer to related graphic template for more information.

additional information:

Graphic material:
Dye-sublimation pillowcase fabric

Table and table throw graphic not included.

2 person assembly recommended:



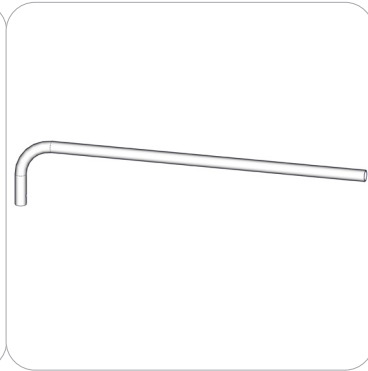
We are continually improving and modifying our product range and reserve the right to vary the specifications without prior notice. All dimensions and weights quoted are approximate and we accept no responsibility for variance. E&OE. See Graphic Templates for graphic bleed specifications.

Included In Your Kit

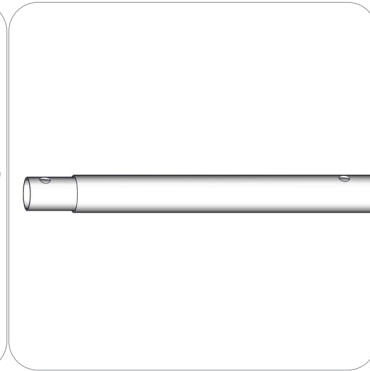
Tubes, Components, & Connectors



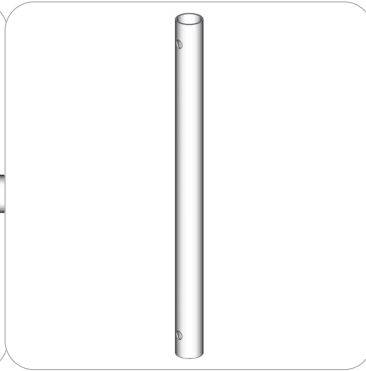
TC-30-TBL-CLMP x2



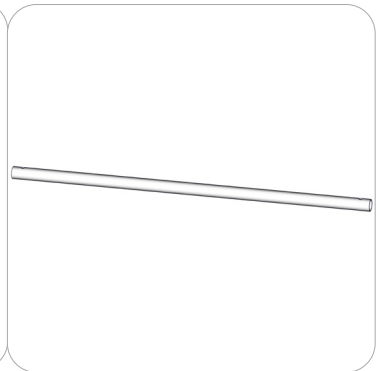
PERCH-T1 x2



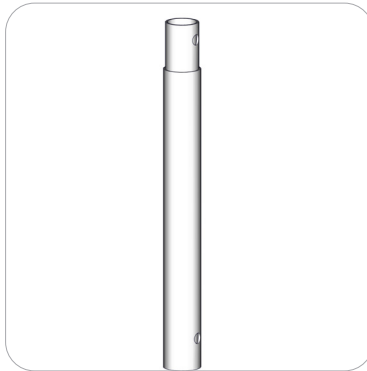
PERCH-T2 x4



PERCH-T3 x1



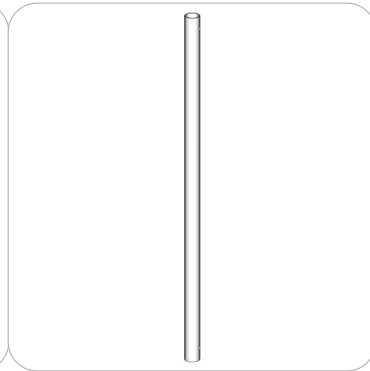
PERCH-T4 x2



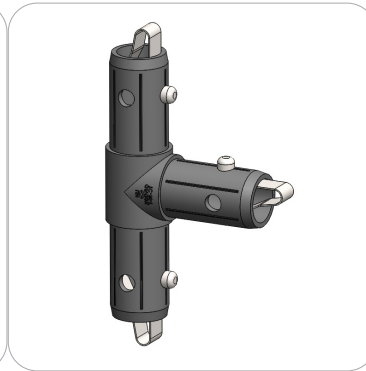
PERCH-T5 x2



PERCH-T6 x2

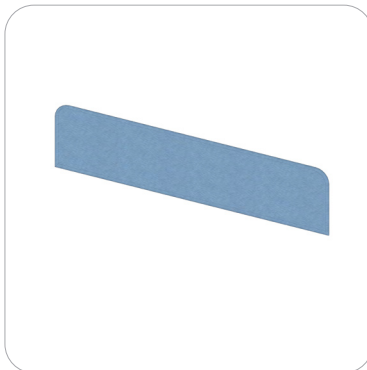


PERCH-T7 x2

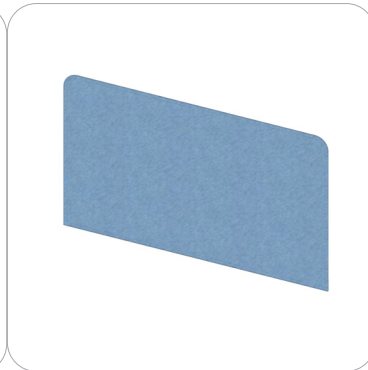


TC-30-T x4

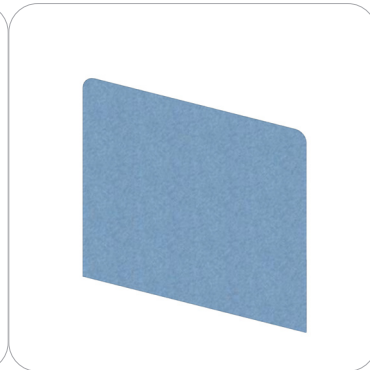
Graphics



PERCH-8-S-G x1



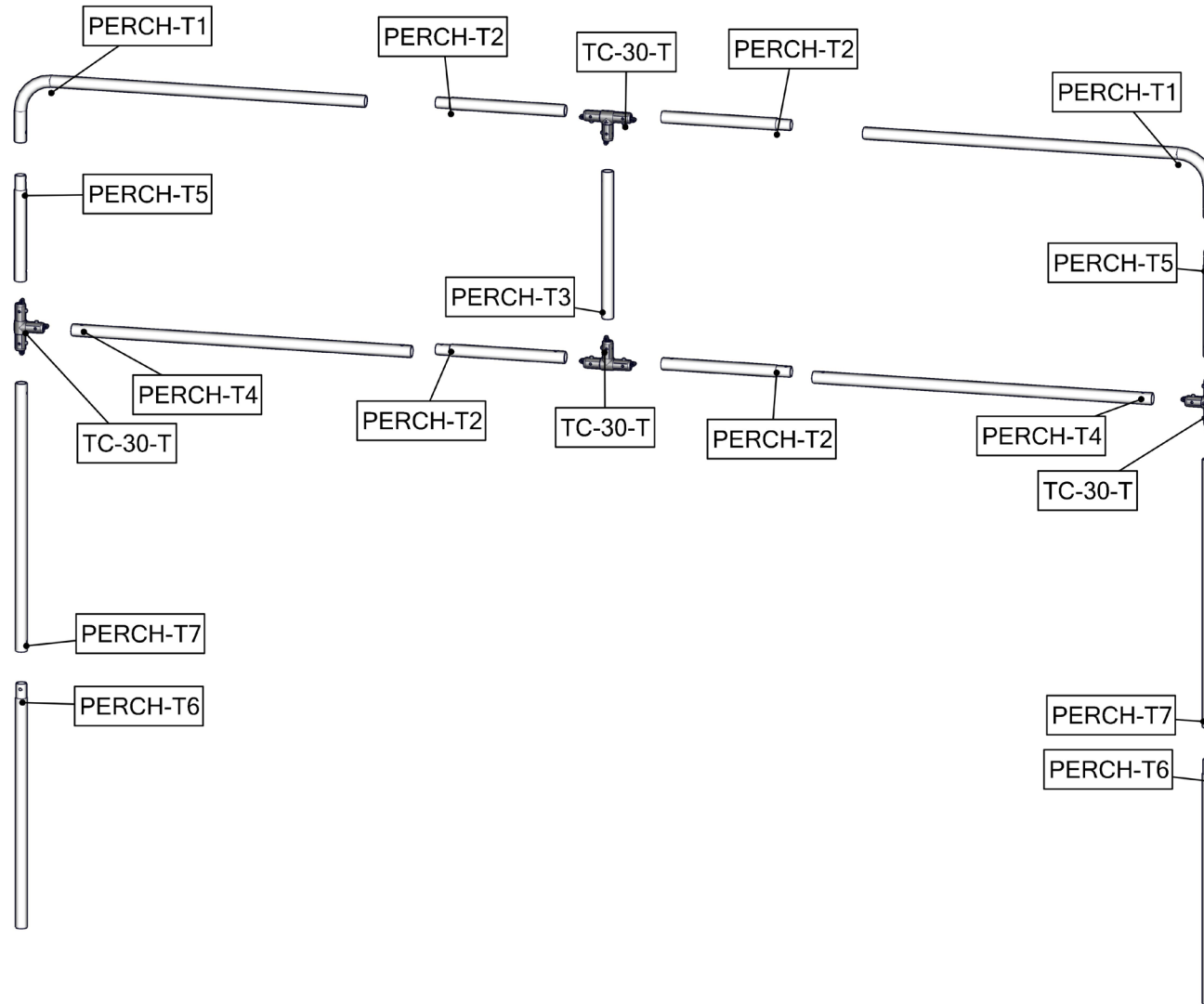
PERCH-8-M-G x1



PERCH-6-8-G x1

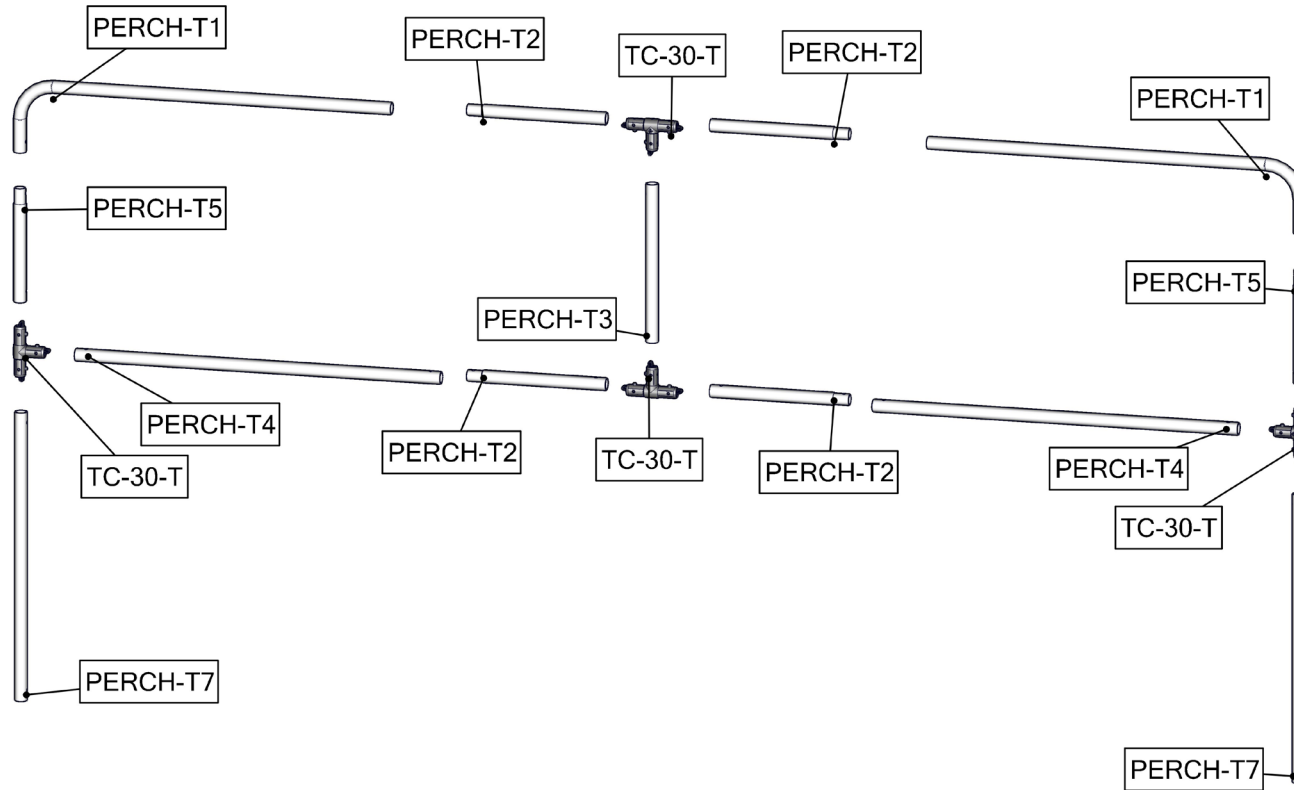
Exploded View

PERCH-8 Header & Large size



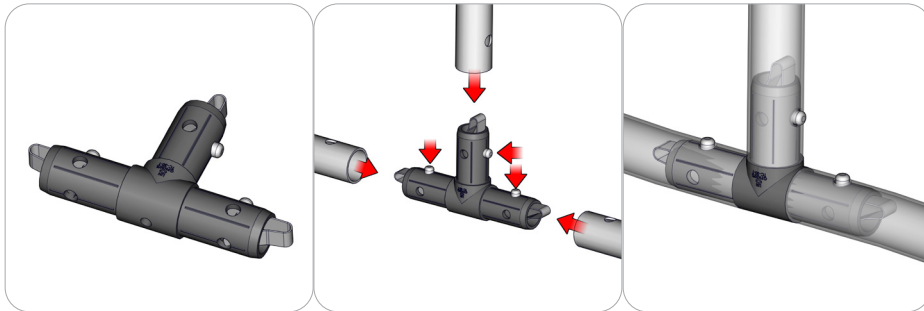
Exploded View

PERCH-8
Medium



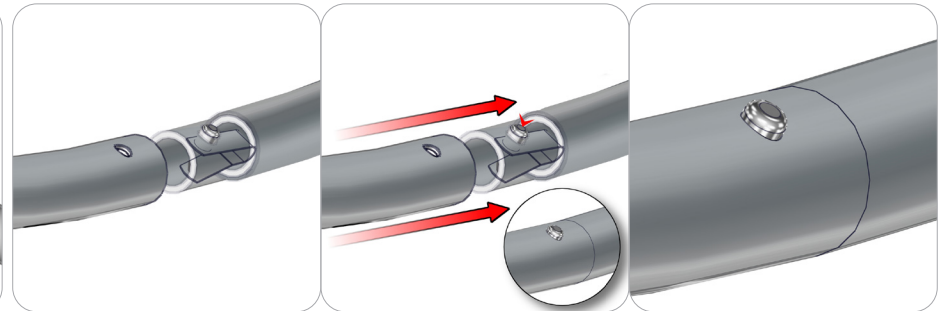
Connection Methods

Connection Method 1: TC-30-T



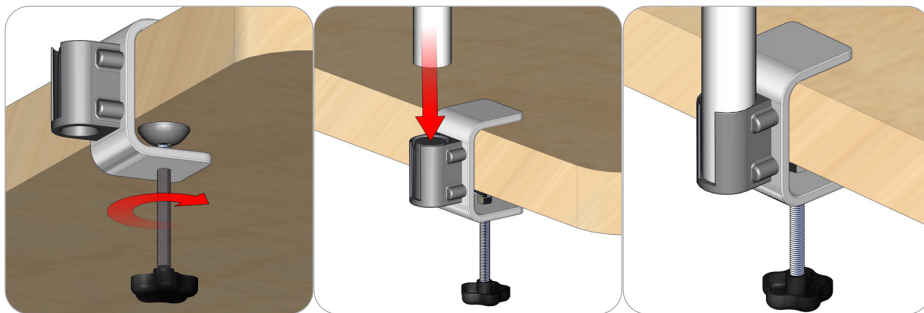
Take the plastic connector and make sure the snap buttons are in proper position for the frame tube holes. Simply press the snap button with your thumb and carefully slide the tube onto the connector. The snap button should pop through. Some twisting may be necessary to assure the snap button has popped all the way through the tube hole. Do not force the connection and be careful with the tube edges, they may be sharp.

Connection Method 2: Swage Tube with Snap Button



Attaching the tube swage design end and snap button is easy - simply press the snap button in and slide it into the next tube. With the tube on, make sure the snap button comes out all the way through the tube hole.

Connection Method 3: TC-30-TBL-CLMP



First, take the table clamp and fasten it to your table end. Next, once your tube frame is assembled with graphic, simply slide the tube end into the plastic hub on the clamp.

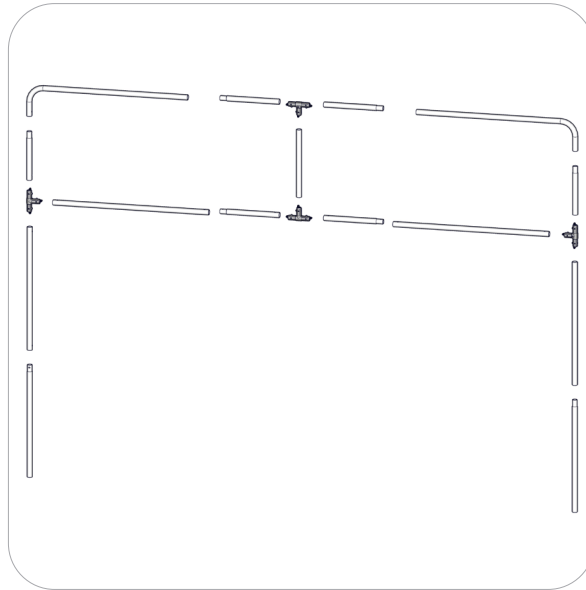
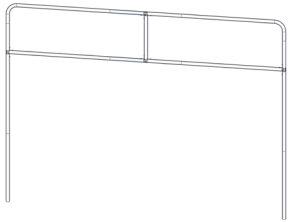
Kit Assembly

Step by Step - for PERCH-8 with Header Graphic

Step 1.

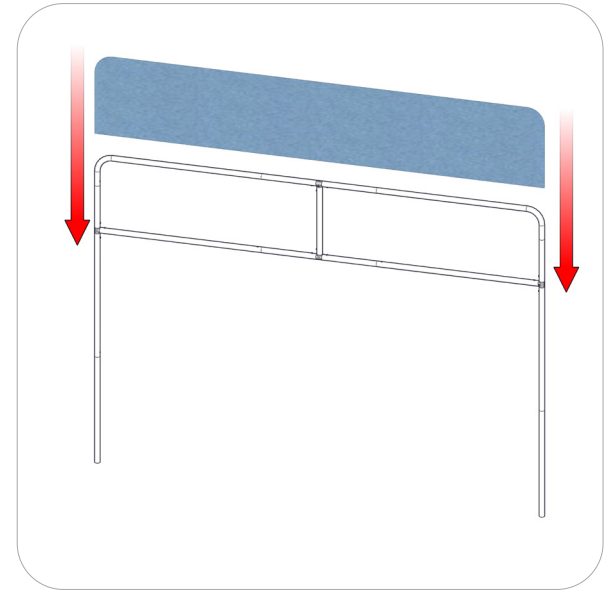
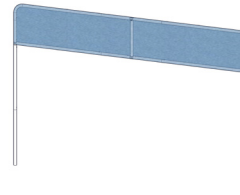
Gather the components to build the frame. Use the configuration 1 Exploded View for part labels.

Reference Connection Method(s) 1 and 2 for more details.



Step 2.

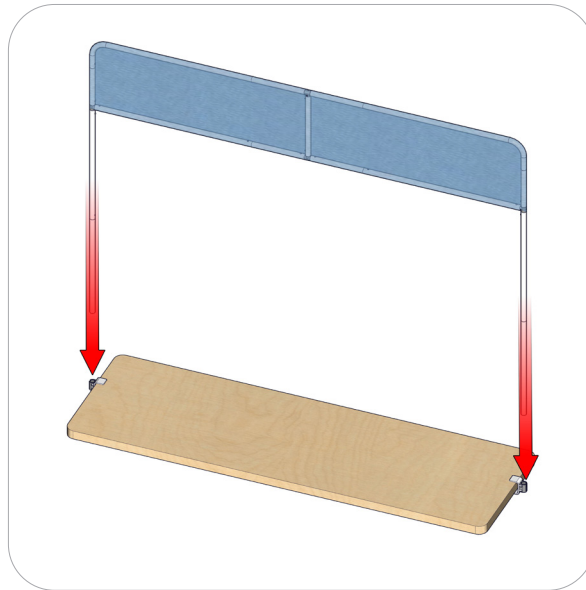
Apply the fabric pillowcase graphic over the frame.



Step 3.

Attach the two table clamps onto the table ends. Next, attach the frame posts into the table clamp.

Reference Connection Method(s) 3 for more details.



Step 4.

Setup is complete.



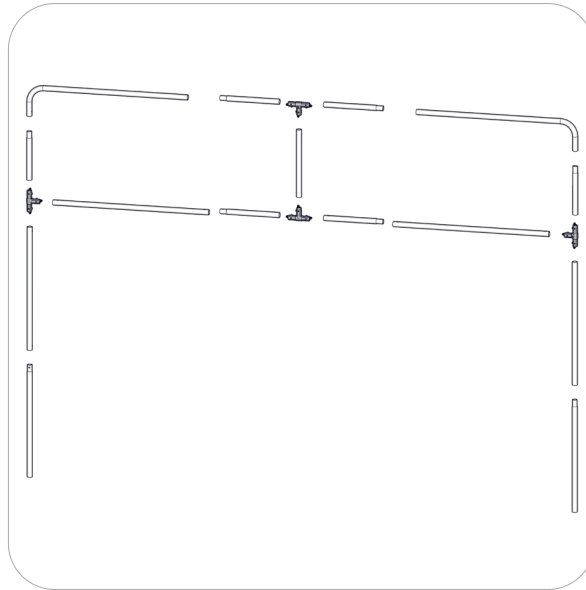
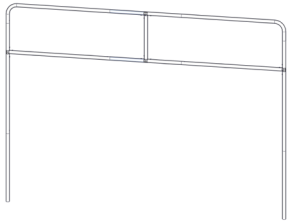
Kit Assembly

Step by Step - for PERCH-8, with Large Graphic

Step 1.

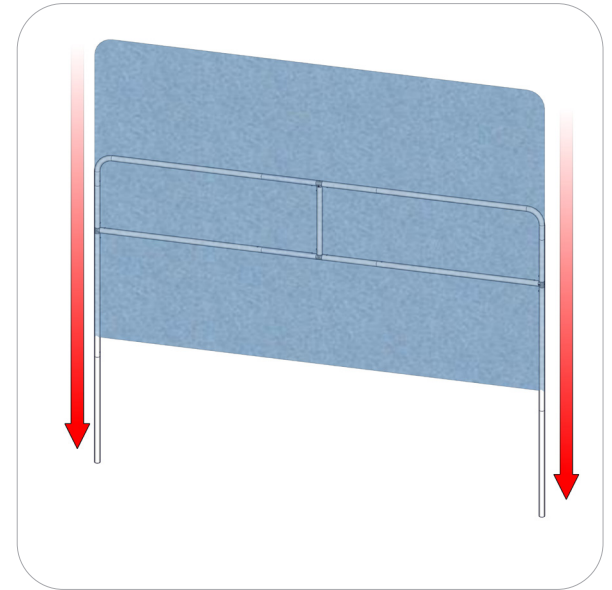
Gather the components to build the frame. Use the configuration 2 Exploded View for part labels.

Reference Connection Method(s) 1 and 2 for more details.



Step 2.

Apply the fabric pillowcase graphic over the frame.



Step 3.

Attach the two table clamps onto the table ends. Next, attach the frame posts into the table clamp.

Reference Connection Method(s) 3 for more details.



Step 4.

Setup is complete.



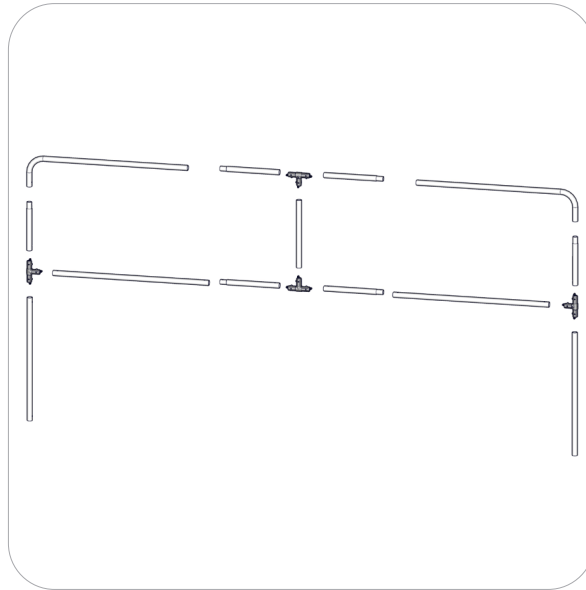
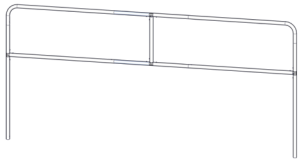
Kit Assembly

Step by Step - for PERCH-8, with Medium Graphic

Step 1.

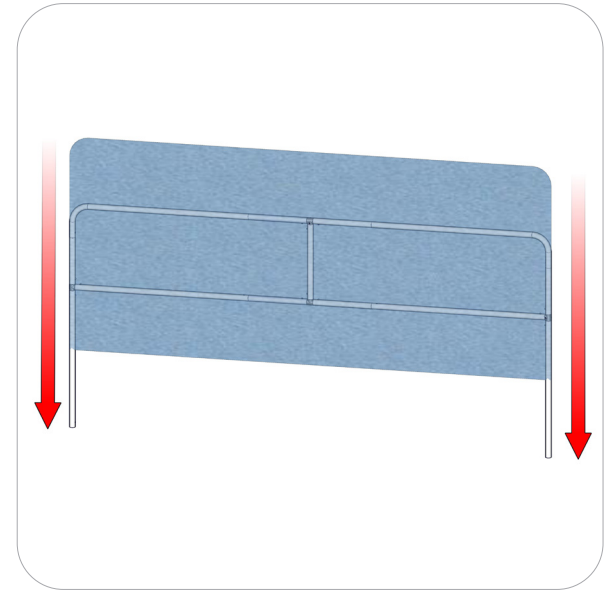
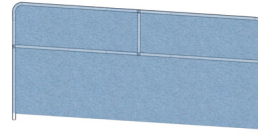
Gather the components to build the frame. Use the configuration 3 Exploded View for part labels.

Reference Connection Method(s) 1 and 2 for more details.



Step 2.

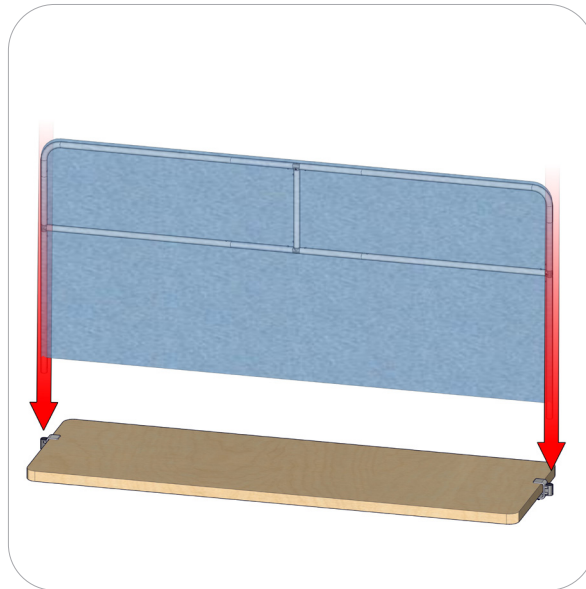
Apply the fabric pillowcase graphic over the frame.



Step 3.

Attach the two table clamps onto the table ends. Next, attach the frame posts into the table clamp.

Reference Connection Method(s) 3 for more details.



Step 4.

Setup is complete.

