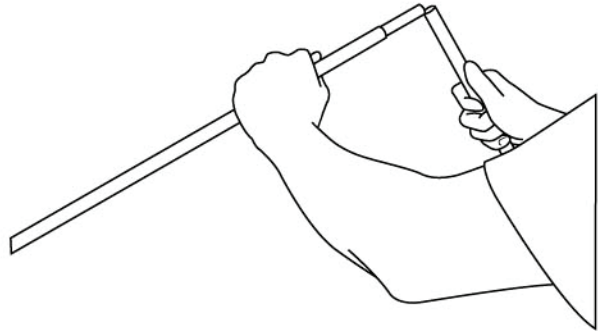
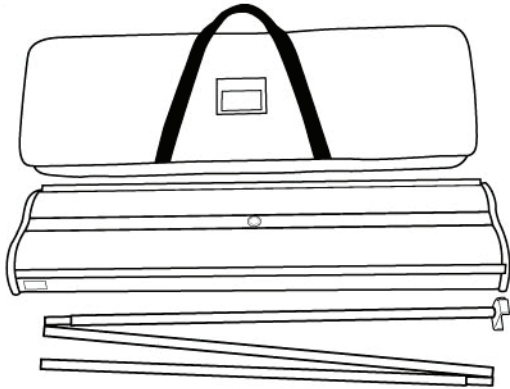


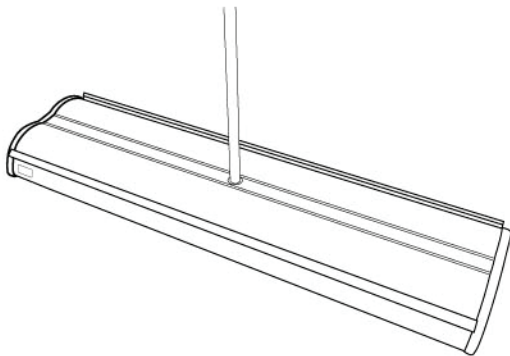
SET UP INSTRUCTION

3 - Parted Pole

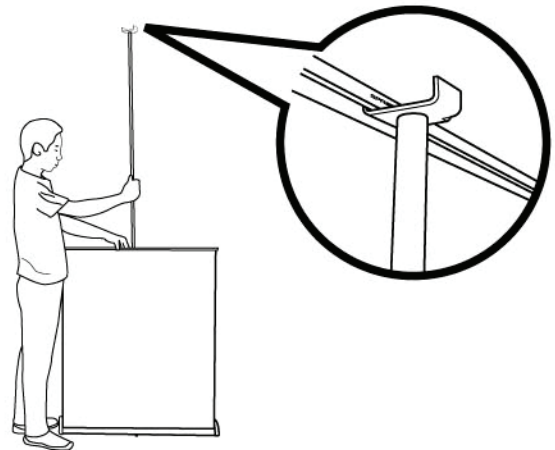
1. Unfold the 3-parted pole.



2. Insert the pole onto the cup of the base.



3. Pull up one graphic and position the end tip of the pole into the profile.



4. Pull up the second graphic and position the end tip of the pole into the profile.

