

Imagine

IMG-800-S

With refined styling and a streamlined profile, the Imagine is packed with new design innovations. This banner stand is our most popular removable cassette roller system and has been specially designed for maximum convenience and ease of use.

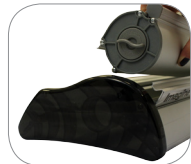


integrated pole storage

features and benefits:

- Variable height = 29.5" - 83.35"
- Drop-in interchangeable cassette accommodates graphic media up to 17.72 mils thick*
- **New** telescopic pole
- **New** integrated pole storage for the twist & lock telescopic pole
- **New** accessory channel featured on the top of the unit (for literature pocket)
- Add your own branding using the slide in graphic channel along the banner stand base
- Premium form molded EVA bag included
- Graphic tensioner
- Anti-slip strips along base
- Lifetime warranty against manufacturer defects

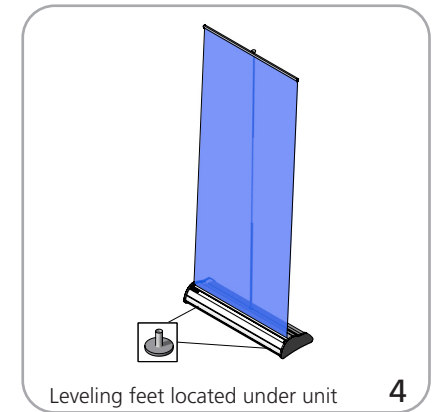
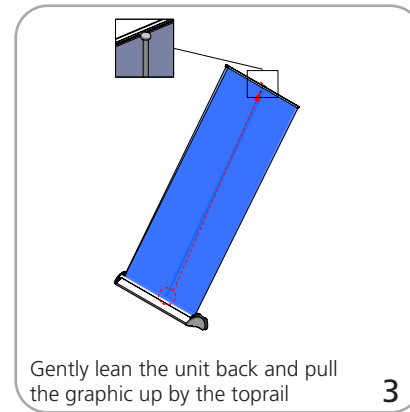
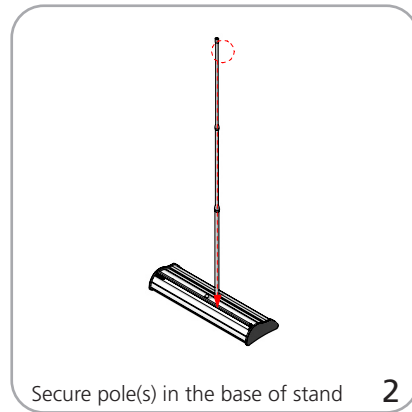
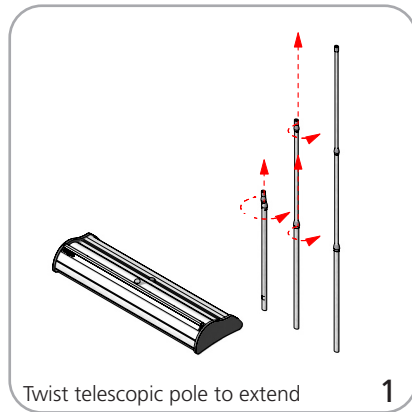
dimensions:

Hardware	Graphic
<p>Assembled unit: 87" (h) max x 34.25" (w) x 8.50" (d) approx. 2210mm(h) x 870mm(w) x 220mm(d) approx.</p> <p>Base dimensions: 3.75" (h) x 34.10" (w) x 8.50" (d) approx. 95mm(h) x 865mm(w) x 215mm(d) approx.</p> <p>Weight: 10.9lbs/4.95kg approx. (including carry bag) (Installed graphic add weight)</p>	<p>Visible dimensions: 83.35" max(h) x 31.50" (w) 2117mm(h) x 800mm(w)</p> <p>29.5" min(h) x 31.50" (w) 750mm(h) x 800mm(w)</p> <p>Grippa top rail attachment recommended for semi-permanent or long term use. Adhesive top rail attachment recommended for short term use.</p> <p>WARNING: Always attach graphic to base and top rail before removing the locking pin. After fitting, the graphic should be left for 24 hours before use to ensure the adhesive bonds sufficiently. Opening the base will invalidate the product warranty.</p> <p>Graphic tension may be re-applied or added by turning the ratchet tensioner clockwise.</p>
<p>Shipping</p> <p>Shipping dimensions - ships in one box 37" (h) x 12" (w) x 5" (d) 920mm(h) x 290mm(w) x 110mm(d)</p> <p>Approximate shipping weight: 17lbs/7.71kg shipping weight with graphic approx.</p> <p>11lbs/4.95kg shipping weight without graphic approx.</p>	

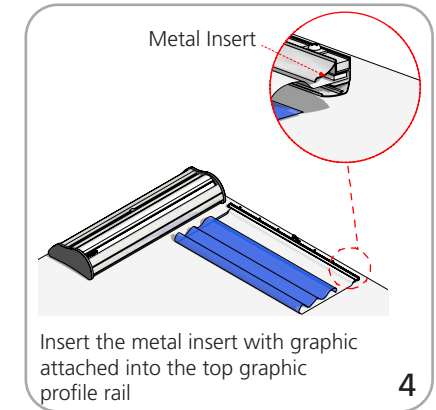
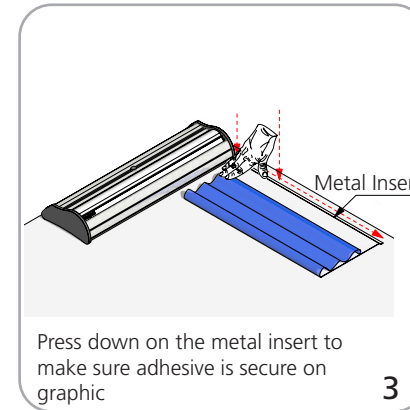
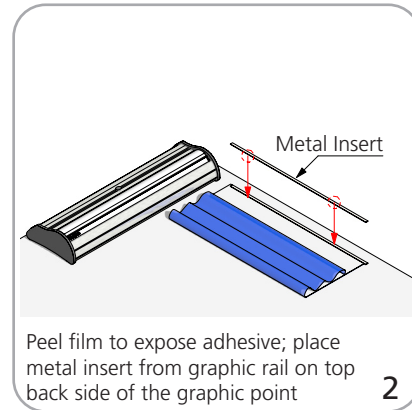
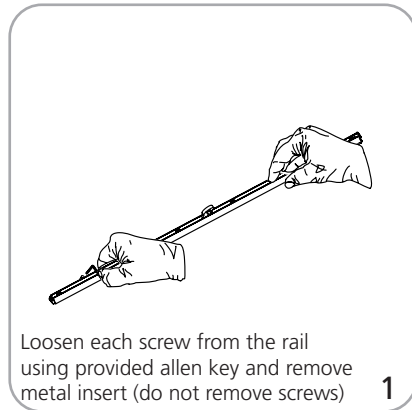
additional information:

We are continually improving and modifying our product range and reserve the right to vary the specifications without prior notice. All dimensions and weights quoted are approximate and we accept no responsibility for variance. E&OE. See Graphic Templates for graphic bleed specifications.

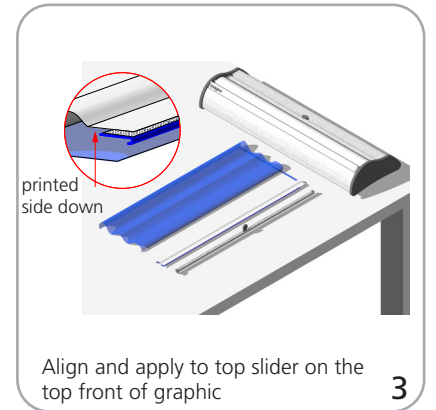
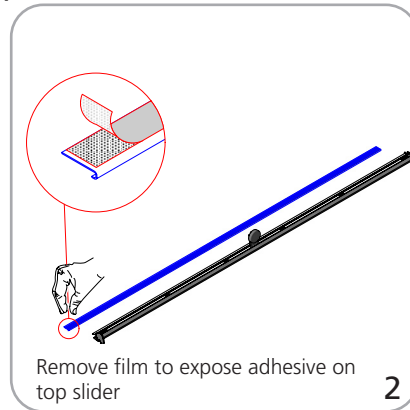
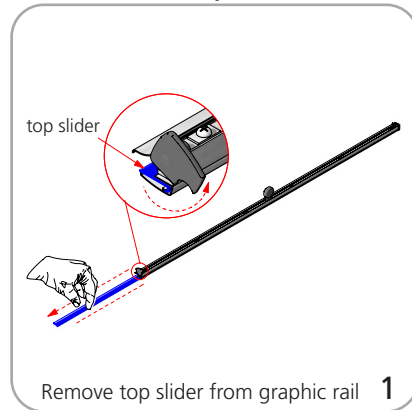
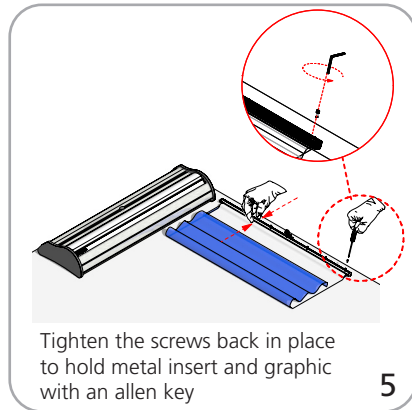
Set-up



Graphic to top rail attachment (metal insert)



Quick slide top rail attachment (plastic insert)



Graphic to base attachment

